

www.geocities.com/chopin.i

BC652-A

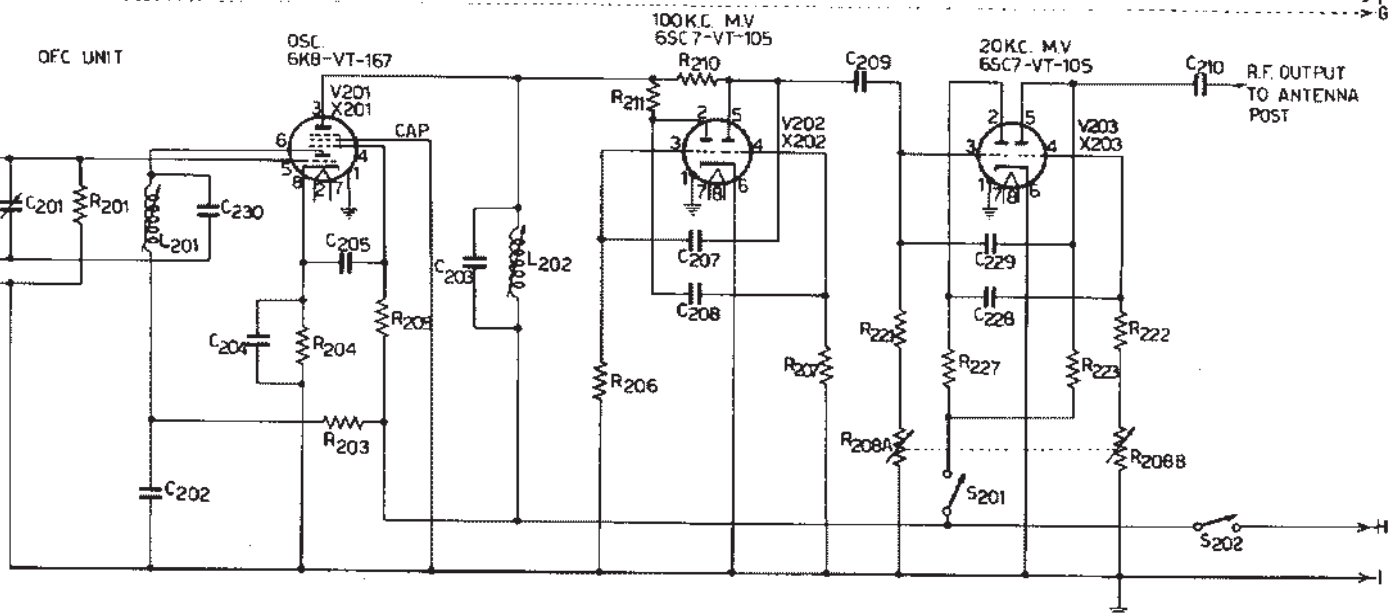
- V201 6K8 (VT167)
- V202 6SC7 (VT105)
- V203 6SC7 (VT105)
- V301 12SG7 (VT209)
- V302 12K8 (VT132)
- V303 12SK7 (VT131)
- V304 12C8 (VT153 o VT169)
- V305 12SK7 (VT131)
- V306 12K8 (VT132)
- V307 12SR7 (VT133)
- V308 6Y6 (VT168-A)
- V309 NE-2 (Lp al neon)

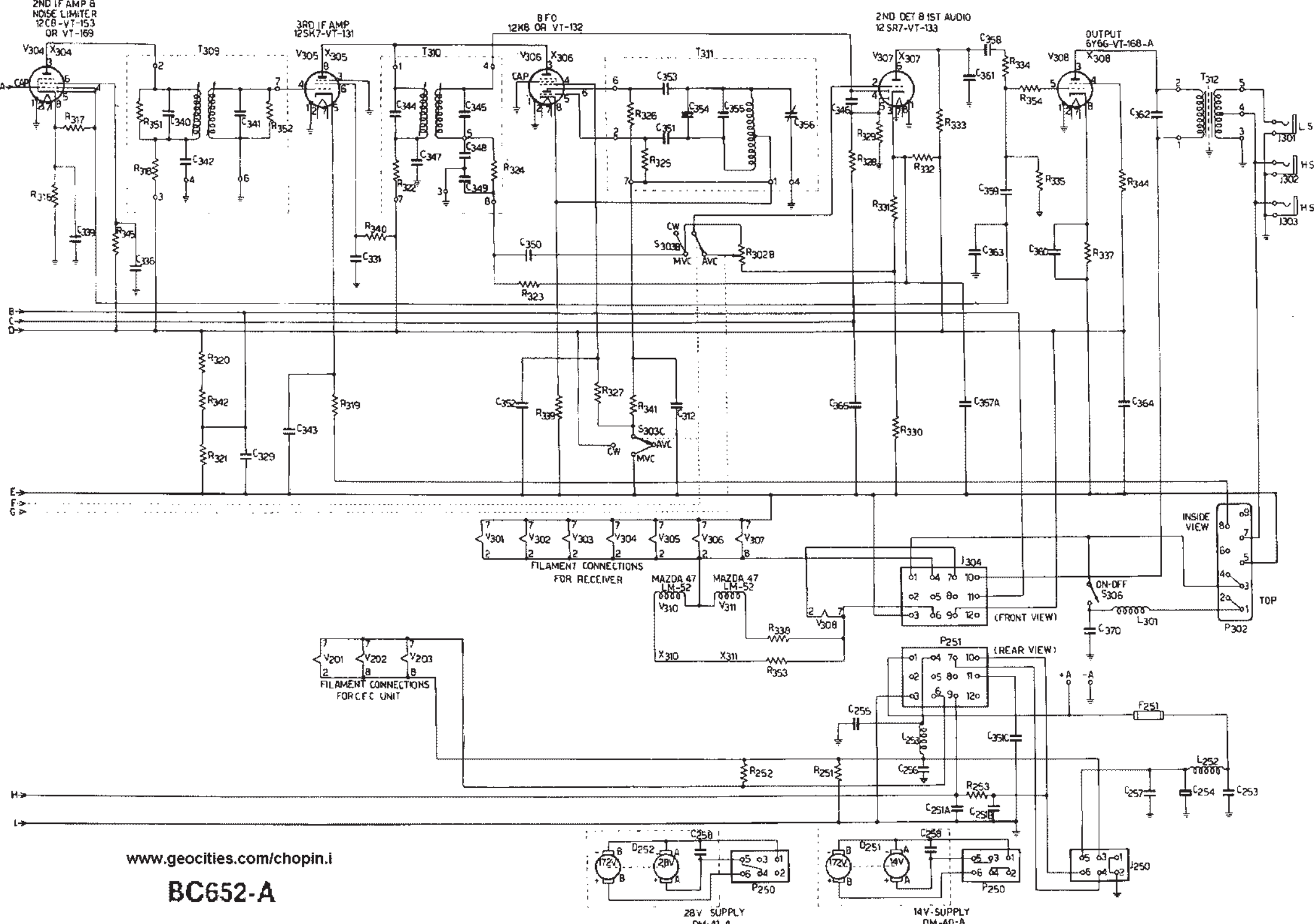
XTAL UNIT
DC-15-A
OR FT-241-A
Y201
X204

DC-15-A UNIT IS SHOWN.
FT-241-A UNIT PLUGS INTO
TERMINALS 1B3.

WHEN USING CRYSTAL UNIT
DC-15-A ADJUST C201 TO SECURE
200Kc CRYSTAL FREQUENCY.

WHEN USING CRYSTAL UNIT
FT-241-A SET C201 AT MAXIMUM
CAPACITY. (RED DOT AT REAR
WHIT SLOT IN LINE WITH MOUNTING
SCREWS).





www.geocities.com/chopin.i

BC652-A